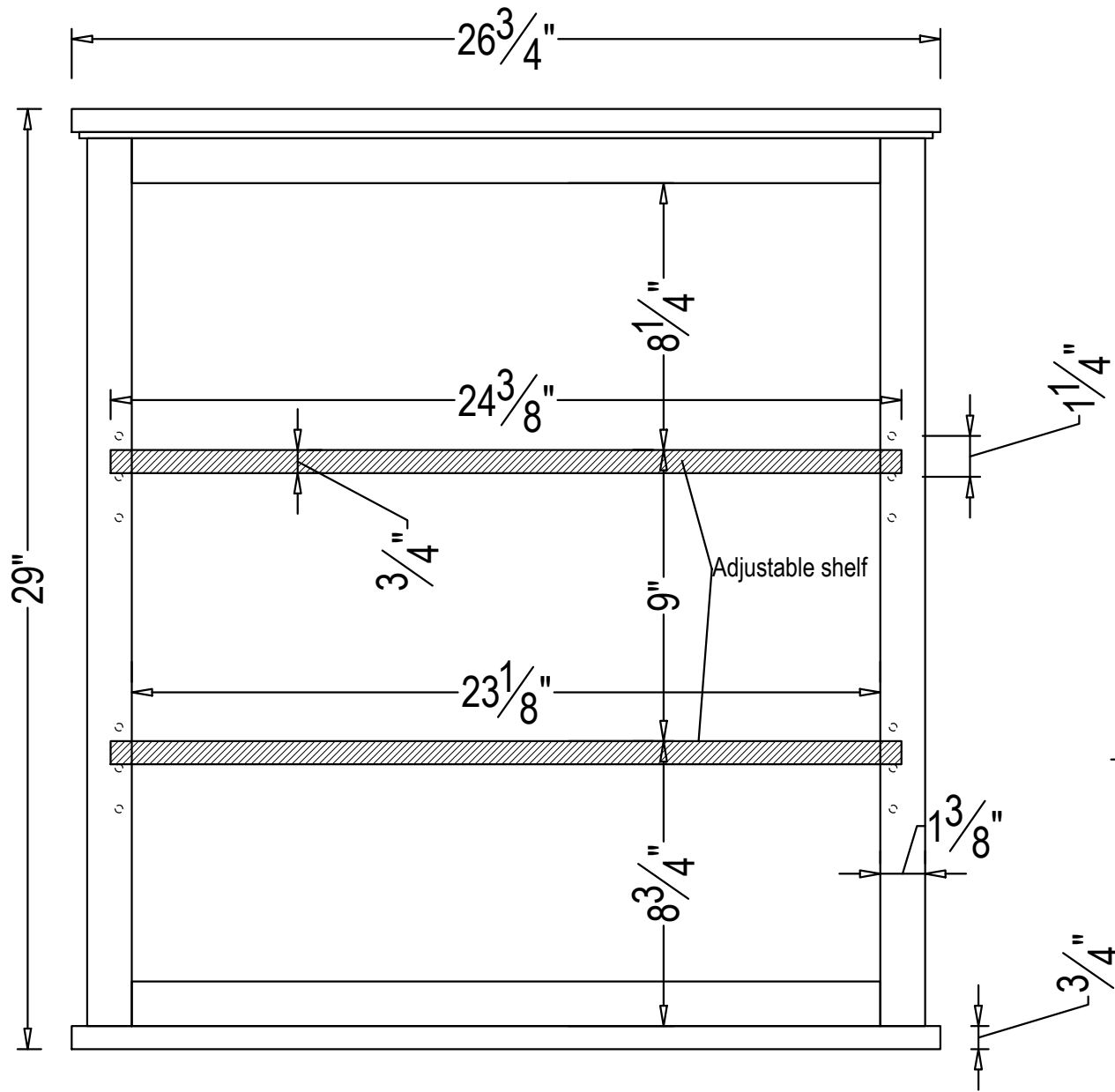
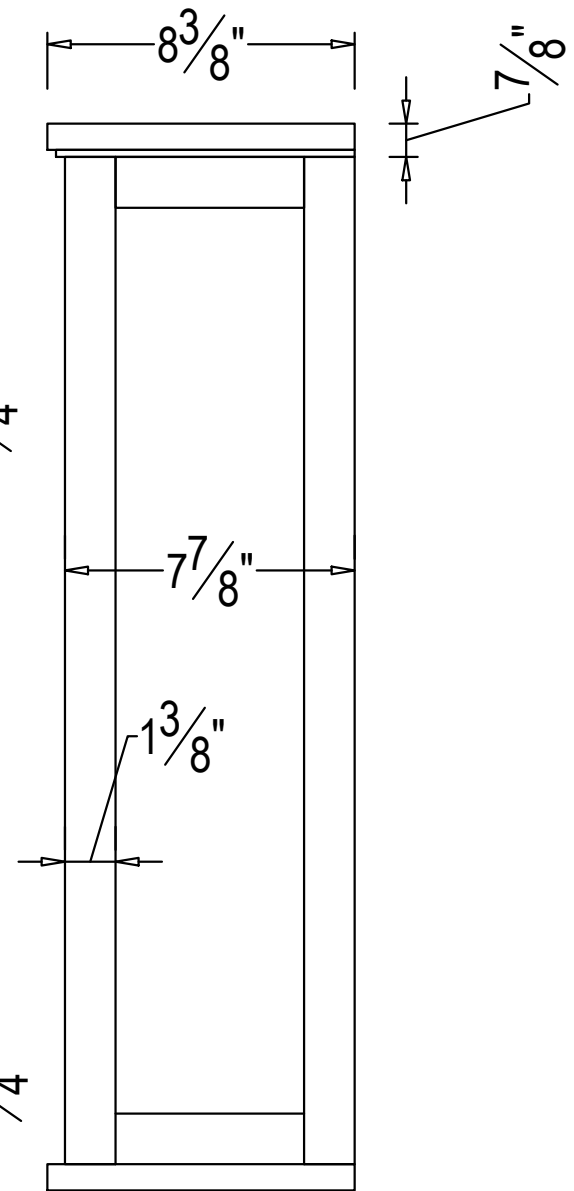


# FRONT VIEW



# SIDE VIEW



**ANVA75WH DORSET TOILET HUTCH W/ OPEN STORAGE**